

WW33 Series AC Servo Motors



New: WW33 Series Servo Motors



Torque and Performance Plus



Exceptional Reliability



WW33 Series

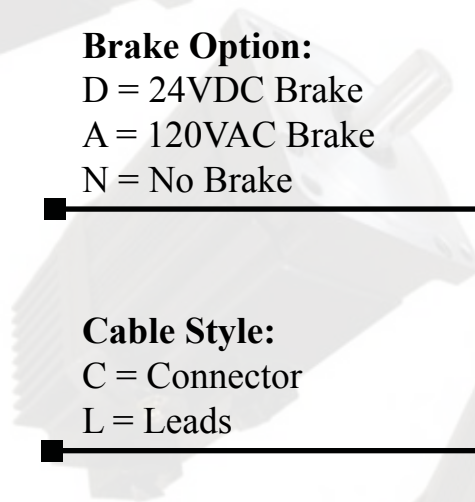
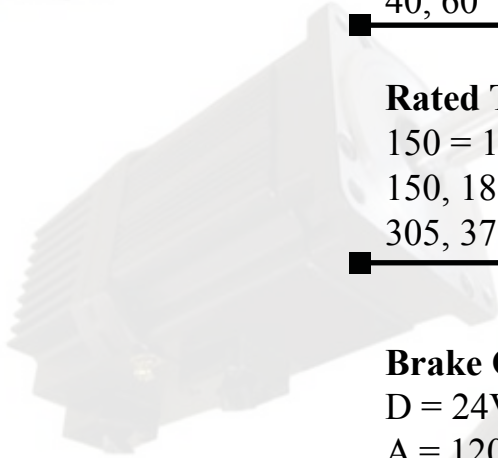


WW33 Series Overview

AC Supply Voltage	240 VAC
Frame Sizes	40mm, 60mm
Torque (Peak)	325 to 700 in-lb
Torque (Continuous)	260 to 530 in-lb
Speed (Maximum Cont.)	4000 to 6000 RPM
Encoder	4096 lines/rev
Cable Lengths	5m, 10m, 15m
IP Rating	IP65
Gear Heads	3:1, 5:1
Brake	N/A
Approvals	CE, UL

WW33 Series Model Specifications

Model #	Peak Torque (lb-in)	Rated Torque (lb-in)	Stall Current (Amps)	Rated Power (KW)	Resistance (Ohms)	Inductance (mH)	Max Speed (RPM)	Inertia (oz-in-sec ²)	Ke (Vrms/krpm)	Kt (lb-in/Arms)	Motor Weight (lb)
WW33-F3-3	2.10	1.50	1.02	0.025	7.58	5.32	6000	0.00014	6.5	0.68	0.66
WW33-F3-4	2.30	1.85	1.45	0.042	6.43	5.14	6000	0.00018	7.6	0.83	0.78
WW33-F3-5	2.55	2.17	1.90	0.065	6.04	6.33	6000	0.00063	15.4	1.65	1.63
WW33-F3-6	3.04	2.85	2.42	0.081	5.35	6.05	5000	0.00126	21.5	2.93	2.53
WW33-F4-3	3.58	3.05	2.70	0.105	4.14	7.27	5000	0.00438	27.7	4.47	4.72
WW33-F4-4	4.31	3.78	3.36	0.147	2.30	5.68	5000	0.00752	35.4	6.31	6.28
WW33-F4-5	4.90	4.14	3.75	0.180	1.95	5.91	5000	0.01180	41.7	6.85	8.41
WW33-F4-6	5.68	4.87	4.15	0.214	1.20	6.13	5000	0.01422	46.3	7.42	9.44
WW33-F4-7	6.45	5.58	5.05	0.244	0.96	6.58	3000	0.01380	52.9	7.86	12.64



W W 3 3 - F 3 - x x - x x x - I - x x

Frame Size: (mm)

40, 60

Rated Torque: (in-lb)

150 = 1.50

150, 185, 217, 285,

305, 378, 414, 487, 558

Brake Option:

D = 24VDC Brake

A = 120VAC Brake

N = No Brake

Cable Style:

C = Connector

L = Leads